

LIFTS FOR **SNOWCATS**

The Art of Lifting



MADE IN GERMANY



J.A. Becker & Söhne

Innovative lifting technology
for snowcats



Regular care and maintenance of the high-quality snowcats are the basis of an efficient piste operation.



The universal, hydraulic lifting units for snowcats of J. A. Becker & Söhne are supporting you due to accelerated operational procedure, ergonomic working conditions and nearly unlimited possibilities for care, maintenance and repair of your complete vehicle fleet.

Load lifting adapters

Most common are vehicle specific load lifting adapters that we interchangeably. What ever you prefer concerning universal or vehicle specific supports – we can manage it.



Telescopic or plunger cylinders

At new buildings or uncomplicated conditions, the plunger cylinder is the best and most economic solution.

The telescopic cylinder with a reduce installation depth of 1.750 mm is best possibility for existing pits or complicated installation conditions.

Lifting capacity

10.000 kg per lifting unit



PRODUCT DETAILS

- Lifting height 1.900 mm

- Lifting capacity per lifting unit 10 tons

- Lifting units corrosion protected by spray-galvanization

- Foundation parts hot galvanized

- Elektronic synchronization device with safety stop

- Safety device (conform EN 1493:2010)

- Maintenance friendly through best accessibility to all wear out parts

OPTIONS

- R-Position switch with red/green light, indicating that all head plates are in lowest position

- Arctic oil for the application range of + 50 to -35 °C

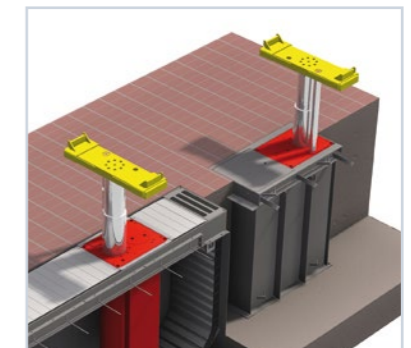
- Lifting height limitation by light barrier

- Cable retractor

- Summer package

TECHNICAL DATA	HVZ 214-PF	HVZ 214/190-PF
Lifting capacity per lifting unit	10.000 kg	10.000 kg
Lifting height	1.900 mm	1.900 mm
Installation depth	2.450 mm	1.750 mm
Piston diameter	214 mm	214/190 mm
Motor power	8 kW	8 kW
Electrical connection	400 V, 32 A	400 V, 32 A
Distance between lifting units	min. 1.900 mm max. 5.000 mm	min. 1.900 mm max. 5.000 mm

Lifting unit floor salient



JAB Lifts

Hydraulic universal and special lifts with a lifting capacity of up to 140.000 kg for cars, trucks, busses and for tracked and tramway vehicles. The JAB Product program includes all elements of 1-, 2-, 3-, 4- and multiple ram inground lifts.

JAB Special equipment

Hydraulic lifting systems for plant engineering, production facilities and installation devices.

JAB Compressors

Low-, medium- and high-pressure compressors for workshops, garages, industrial facilities and the energy industry, ranging from 10 to 350 bar; special filling equipment for breathing apparatus for professional use, pressure tanks up to 200 bar, compressed air cold driers, oil and water separation.



J.A. Becker & Söhne GmbH & Co. KG

Machine manufacturers
P.O. Box 1151, D-74148 Neckarsulm

Factory adress: Hauptstraße 102
D-74235 Erlenbach-Binswangen

Phone +49 (0)7132-3670
Fax +49 (0)7132-367287

info@jab-becker.de
www.jab-becker.de



Shown pictures can deviate from standard version.
Technical modification reserved.